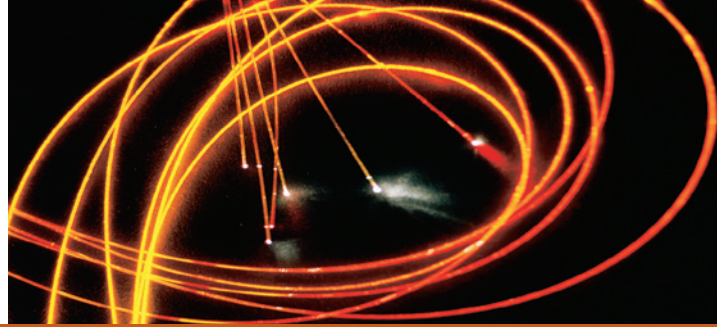


Redundant Switch

Hot Standby Panel



The Hot Standby Panel is an advanced micro-processor-controlled device that provides true hot standby switchover between transmitters. It is designed to interface a main and a backup transmitter to the output antenna port. The Hot Standby Panel (HSP) improves overall system reliability by performing automatic switchover to the backup transmitter when a failure or other switchable condition at the main transmitter occurs and, vice-versa, without degrading overall system paging operation.



The purpose of the HSP is to connect either the main or the backup transmitter to the antenna depending on the status of the transmitters. The control input from the transmitters and sampled RF output to the HSP are used to determine whether a switchover should take place.

The HSP is an ideal choice for a hub link or a secondary control link site. Reliability of the control site is extremely important, since the operation of all the remote paging stations depend on it. The HSP is also a good choice for paging stations that cover important areas, such as hospitals or business districts, where downtime is not acceptable. Although the HSP is designed primarily to interface with Eagle Telecom Transmitters, it also can be used with other brands of transmitters. The HSP comes in a convenient rack-mountable configuration that occupies minimum rack space.



Redundant Switch

Hot Standby Panel

Specifications

Technical

Power On Delay	6 seconds
Transmitter Full Power from Key On	2.5 seconds max
Transmitter Switchover	250 milliseconds
Analog Key Control Input	TTL Level
Digital Key Control Input	TTL Level

Power Requirement

DC Voltage	12 VDC
Current	1 ampere

Physical Dimensions

Width	19 inches
Depth	11 inches
Height	2.0 inches
Weight	2 pounds

Environmental

Temperature (ambient)	0° C to 65° C
Humidity	0% to 80%

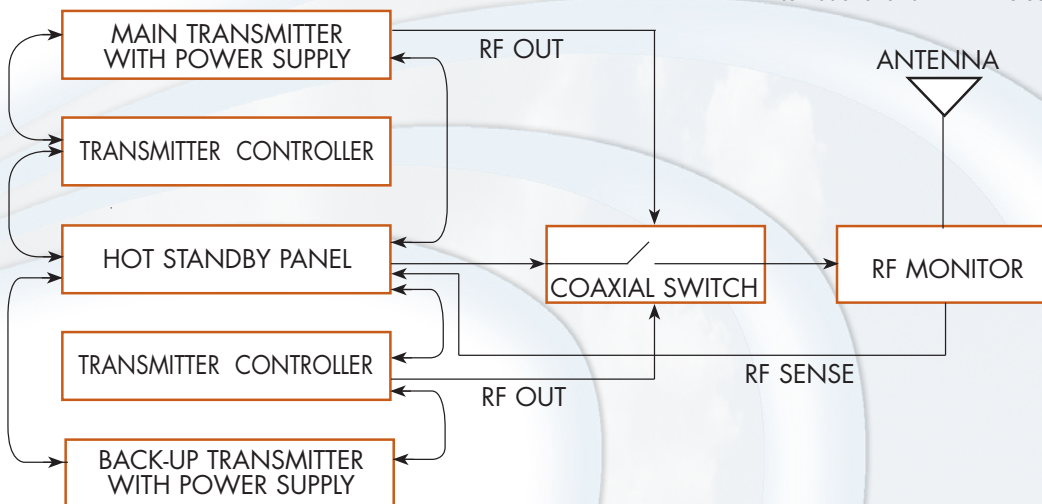
The following connections are used for the Eagle Telecom Transmitters:

Hot Standby Panel	Transmitter
TX Audio +	Audio + Input
TX Audio -	Audio - Input
TX Analog Key	Analog Key
TX Digital Key	Digital Key
GND	Ground
TX Disable	TX Disable
Hot Key	Manual Keying of Transmitter

The following Hot Standby Connections are used for the Paging Terminal/Transmitter Controller:

Hot Standby	Paging Terminal/Transmitter Controller
Analog Key	Analog Key Input (TTL Level)
Digital Key	Digital Key Input (TTL Level)
RF Sense	RF Voltage Input from RF Monitor
Audio In +	Audio Input (600 ohm balanced or unbalanced)
Audio In -	Audio Input (600 ohm balanced or unbalanced)
Data In	Data Input (TTL Level)

Equipment specifications and features subject to change without notice.
Some Eagle Telecom technology is licensed from Eagle Wireless International and ERF Wireless.



Eagle Telecom, Inc.

2280 Main Street Suite B3, League City, TX 77573
Phone: (832) 812-6476 • www.eagletelecom.us
inquiries@eagletelecom.us • sales@eagletelecom.us